

## **ATTENTION**

### **READ ALL MATERIALS THAT ACCOMPANY THIS PRODUCT BEFORE IT IS INSTALLED OR USED**

**There is a potential risk of serious injury or death associated with virtually every product regardless of its type or intended use. Stander, Inc., has worked tirelessly to minimize all risks associated with its mobility aids, yet given the types of products, users, and a myriad of things outside of our control, we cannot eliminate every conceivable risk. Accordingly, a consumer must use common sense when utilizing our products and consider the user's overall physical and mental health.**

## **LIMITED WARRANTY**

Stander, Inc. warrants to the original purchaser that this product will be free from defects in material and/or workmanship for 1 year from the date of purchase. During the warranty period, we will correct any defects in material or workmanship at no charge. All shipping costs must be paid by the original purchaser. Any replacement parts will be new and are warranted for the remainder of the original warranty or thirty (30) days from the date of shipment, whichever is longer. The original purchaser must notify Stander, Inc. during the warranty period in writing of the defect in workmanship or material. This warranty is not transferable and covers only normal use. Stander will not refund or pay for any shipping charges. The warranty does NOT cover: (1) Damage during shipment other than original shipment to retailer; (2) Damage caused by unauthorized attachments, alterations, or modifications; (3) Damage caused by the use of the product for purposes other than those for which the product was designed or intended; and (4) Damage caused by any other abuse, misuse, mishandling, or misapplication.

Under no circumstances shall Stander, Inc. be liable for any special, incidental, or consequential damages based upon breach of this limited warranty, breach of contract, or strict liability.

THERE ARE NO WARRANTIES WHICH EXTEND BEYOND THOSE INDICATED HEREIN. ALL OTHER WARRANTIES, EXPRESS OR IMPLIED (INCLUDING ALL IMPLIED WARRANTIES OF MERCHANTABILITY OR FITNESS FOR A PARTICULAR PURPOSE), ARE HEREBY DISCLAIMED.

Some states do not allow limitations on how long an implied warranty lasts, so the above limitation may not apply to you. This warranty gives you specific legal right, and you may also have other rights which vary from state to state. To obtain service under this warranty, you can reach Stander, Inc. at (800) 506-9901 or (435) 755-0453.

## **WARNINGS**

### **1. INSTALLATION:**

- a) Do not use or install this product unless you read and understand these warnings and assembly instructions to ensure the product is properly installed and used. If installer/user(s) are installing this product in a nursing home, assisted living center, or a similar facility, follow these and the facilities Bed Rail installation policies. If you have any questions regarding the installation, use, associated risks, or anything at all regarding this product, call Stander Inc. at (800) 506-9901 or (435) 755-0453.
- b) Improper installation of this product significantly increases the risk of entrapment (see section 2, ENTRAPMENT, below). Do NOT install product without a bed frame under any circumstances. Do NOT use product without Safety Strap. Do not install this product if you are unable to follow these instructions exactly.
- c) This product should only be used with 6 inch to 16 inch thick innerspring or memory foam style mattresses. This product should not be used on any bed which consists of a material that may increase the potential for gapping between the top of the mattress and the bottom of the Bed Rail. Examples of beds that will cause gapping problems include, but are not limited to waterbeds, light weight foam, air or other lightweight mattresses, mattresses that compress more than 1" on the edge when in use, and beds with adjustable frames.
- d) Prior to use, ensure that there is no gap between the side of the Bed Rail and the side of the mattress. A gap in this area means the product was installed improperly. The included Safety Strap is designed to secure the Bed Rail to the side of a mattress to avoid a gap in this area.
  - e) The Bed Rail is equipped with a Safety Strap that is intended to reduce the risk of entrapment (see section 2, ENTRAPMENT, below). NEVER remove Safety Strap or use product without the Safety Strap installed as per Assembly Instructions. Removal, modification or alteration of the safety strap significantly increases the risk of entrapment.
- f) Stop using immediately if product is damaged, or broken, or if parts are missing.
- g) Stop using immediately if product shifts out of its original position until readjusted into the correct position.

### **2. ENTRAPMENT:**

- a) There is a risk of entrapment associated with bed rails and other similar bedside mobility aids. Entrapment occurs when an individual becomes wedged between a bed rail and any other object. Entrapment has resulted in serious injury and death. Read the enclosed Entrapment Prevention Guidelines before installation or use of this product. Additional copies of the Entrapment Prevention Guidelines may be obtained from [www.stander.com](http://www.stander.com) or by contacting a Stander representative at (800) 506-9901 or (435) 755-0453.

### **3. PHYSICAL AND MENTAL CONDITIONS:**

- a) Individuals who have problems with physical limitations, paralysis, symptoms of dementia, Alzheimer's or memory loss, sleeping, incontinence, pain, uncontrolled body movement, getting out of bed and walk unsafely without assistance, frailty, weakness, confusion, restlessness, terminal restlessness, or are under the influence of medications, drugs or any substance that could impair their balance or judgment, or any other unforeseeable reasons that could affect the users physical and mental ability to safely use this product, are at a higher risk of entrapment. Since these conditions are subjective and Stander Inc. has no control who chooses to use this product, it is the installer/user(s) responsibility to consult a physician before using this product.

- b) This product is not intended to carry the full weight of an individual. This product is only intended to provide balance and support while sitting and standing.
- 4. EXTERNAL FACTORS:**
- a) Children should not be allowed to hang on or play with this product.
- b) Changing bed linens (bed covers, blankets, sheets, etc.) may require re-adjustment of the Safety Strap to eliminate a gap between the Bed Rail and side of the mattress.
- c) If product is removed and reinstalled, Safety Strap needs to be reinstalled correctly as directed in these instructions.
- 5. AGREEMENT BETWEEN INSTALLER/USER(S) AND STANDER INC.:**
- a) If the installer/user(s) choose to use this product, it is understood between the installer/user(s) AND Stander Inc., that the installer/user(s) accept the risks associated with using this product. Since these conditions are subjective and Stander Inc. has no control over who chooses to use this product, the installer/user(s) agree to be liable for their decisions when using this product.
- 6. CONSUMER RIGHTS AND ARBITRATION AGREEMENT:**
- a) This arbitration agreement ("Agreement") affects your legal rights and remedies by providing that disputes between you and the manufacture of this product ("Stander"), must be resolved through binding arbitration, rather than in a court. Please read this agreement carefully as you accept the terms of this agreement by assembling and using this product. If you do not agree to the terms of this agreement, return the product to the location of purchase for a refund.
- i) **RESOLUTION OF CLAIMS OR DISPUTES.** Any claim or dispute between you and Stander arising out of or relating in any way to the Product or this Agreement shall be resolved through final, binding arbitration. This arbitration obligation applies regardless of whether the claim or dispute involves a tort, fraud, misrepresentation, product liability, negligence, violation of a statute, or any other legal theory. Both you and Stander specifically acknowledge and agree that you waive your right to bring a lawsuit based on such claims or disputes and to have such lawsuit resolved by a judge or jury.
- ii) **LIMITATION OF LEGAL REMEDIES.** All arbitrations under this Agreement shall be conducted only on an individual (and not a class-wide) basis and an arbitrator shall have no authority to award class-wide relief. You acknowledge and agree that this Agreement specifically prohibits you from commencing arbitration proceedings as a representative of others or joining in any arbitration proceedings brought by any other person. iii) **ARBITRATION PROCEDURES.**
- (1) Before commencing any arbitration proceedings under this Agreement, you must first present the claim/dispute to Stander by calling (800) 506-9901 or (435) 755-0453, providing requested contact information and allowing Stander the opportunity to resolve it. If your claim or dispute is not resolved within sixty (60) days, you may commence arbitration proceedings in accordance with the terms of this Agreement.
- (2) The arbitration of claim(s)/dispute(s) under this Agreement shall be pursuant to the American Arbitration Association's ("AAA") United States Commercial Dispute Resolution Procedures and Supplementary Procedures for Consumer Related Disputes (see [www.adr.org](http://www.adr.org) for their rules and procedures).
- (3) The arbitration of any claim/dispute under this Agreement shall be in the State of Utah.
- (4) All administrative expenses of arbitration proceedings under this Agreement shall be divided equally between you and the Company, except that: (a) if the claims/dispute subject to the arbitration proceedings is less than ten thousand dollars (US\$10,000), you will be responsible for no more than one hundred twenty-five dollars (US\$125) in administrative expenses; (b) if the claim/dispute subject to the arbitration proceedings is more than ten thousand dollars (US\$10,000) but less than seventy-five thousand dollars (US\$75,000), then you will be responsible for no more than three hundred seventy-five dollars (US\$375) in administrative expenses; and (c) if the claim/dispute subject to the arbitration proceedings is more than seventy-five thousand dollars (US\$75,000), then you will be responsible for administrative expenses in accordance with the Commercial Fee Schedule provided by the AAA. You acknowledge and agree that each party shall pay the fees and costs of its own counsel, experts and witnesses. iv) **CHOICE OF LAW & SEVERABILITY.** This Agreement shall be governed by the United States Federal Arbitration Act and the laws of the state of Utah. If any provision of this Agreement is declared or found to be unlawful, unenforceable or void, such provision will be ineffective only to the extent that it is found unlawful, unenforceable or void and the remainder shall remain fully enforceable.

## **WARNING ENTRAPMENT AND FALL HAZARD**

Gaps in and around this product can entrap and kill. People with Alzheimer's disease or dementia, or those who are sedated, confused, or frail, are at increased risk of entrapment. People attempting to climb over this product are at increased risk of injury or death from falls. Always make sure this product is properly secured to bed. If product can move away from bed or mattress, it can lead to entrapment and death.

## **WARNING SUFFOCATION AND STRANGULATION HAZARD**

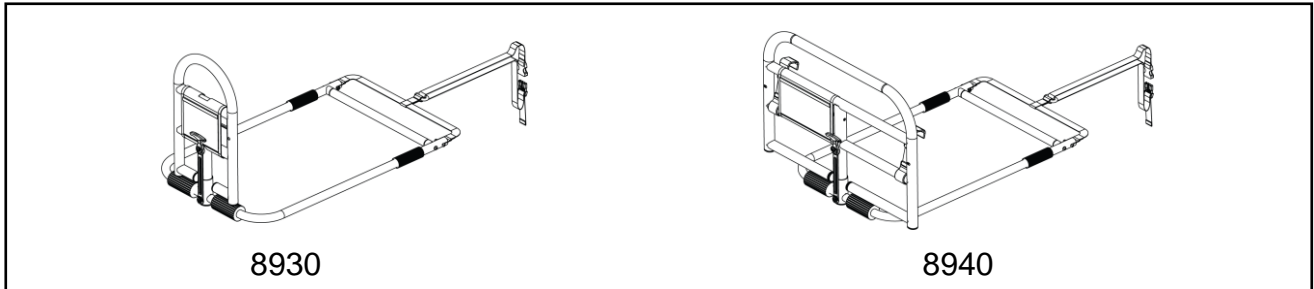
Gaps in and around this product can entrap and kill. People with Alzheimer's disease or dementia, or those who are sedated, confused, or frail, are at increased risk of entrapment.

- NEVER use unless product is tight against mattress, without gaps, and at least 12 ½" from headboard and footboard.
- NEVER use with children.
- NEVER use on toddler, bunk, water, or inflatable beds.

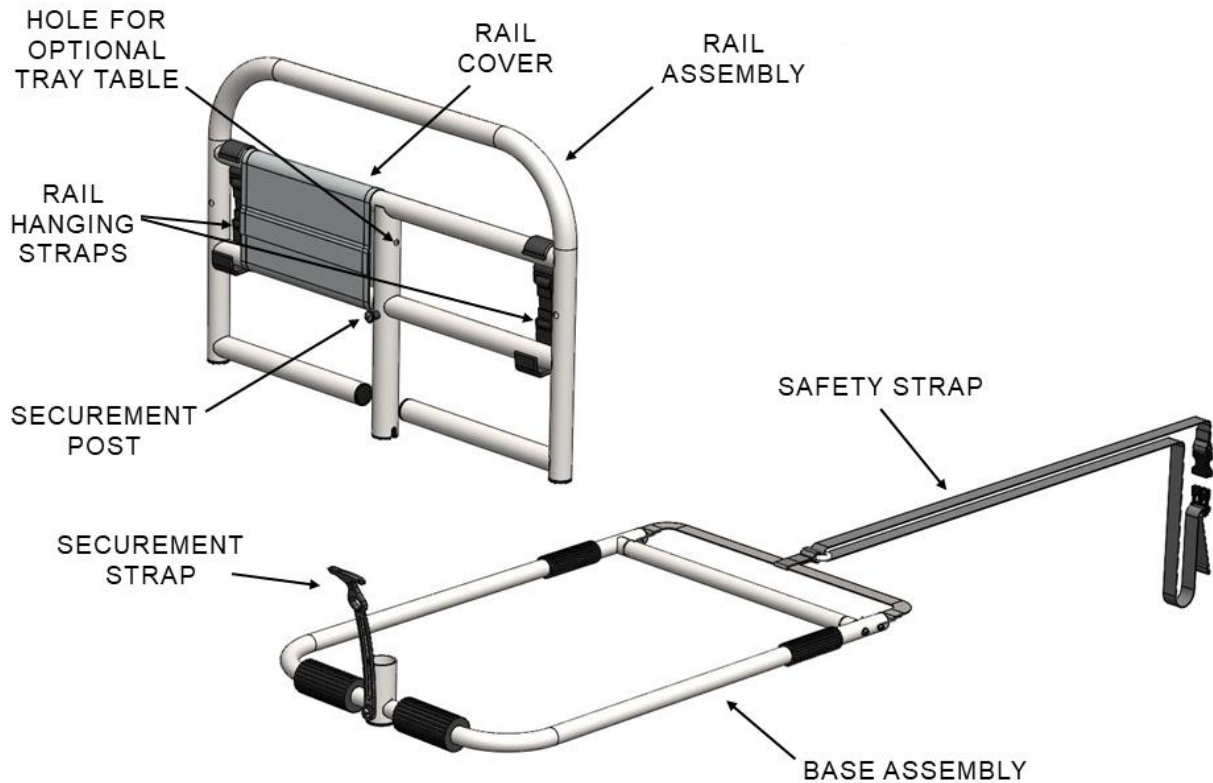


# Assembly & Installation Instructions for 8930, 8940

The 8900 Series can be purchased in two configurations. For simplicity, these instructions use the 8940 (the most common configuration), however, these instructions apply to the 8930 as well.

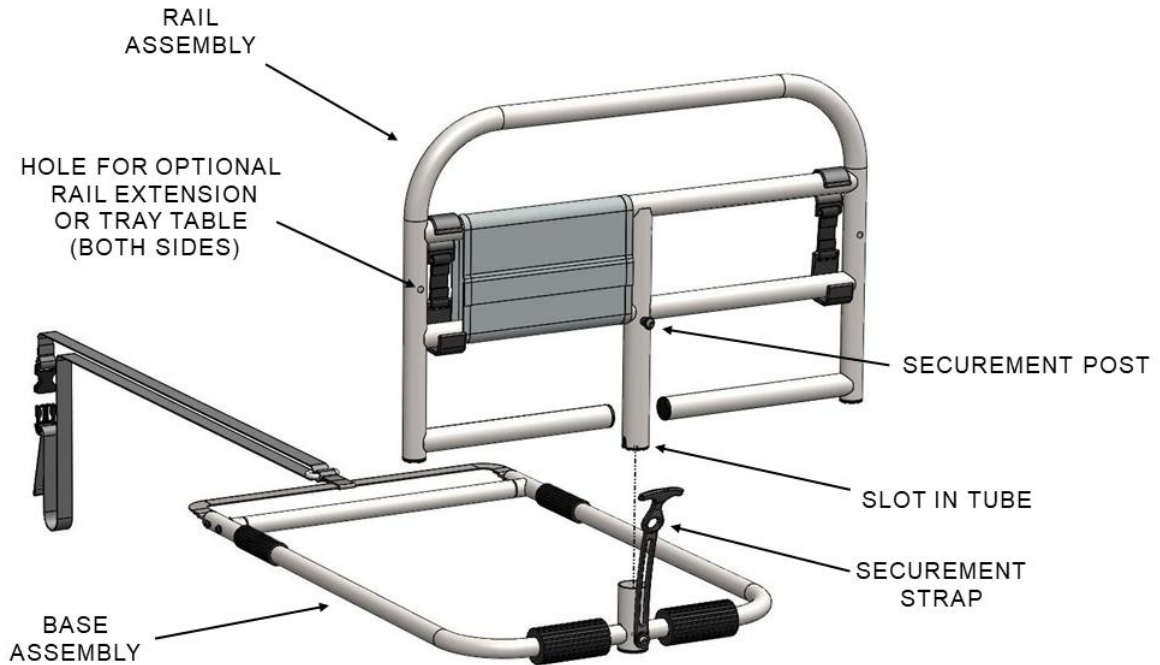


1. Remove all components from the box and verify all parts are included as shown in Figure 1. Note that 8930 does not include RAIL HANGING STRAPS.



**FIGURE 1**

2. Insert the RAIL ASSEMBLY into the BASE ASSEMBLY as shown in Figure 2. **IMPORTANT:** The slot in the bottom of the RAIL ASSEMBLY must be fully inserted into the BASE ASSEMBLY to prevent the RAIL ASSEMBLY from rotating. Make sure the SECUREMENT POST is positioned on the same side as the SECUREMENT STRAP.



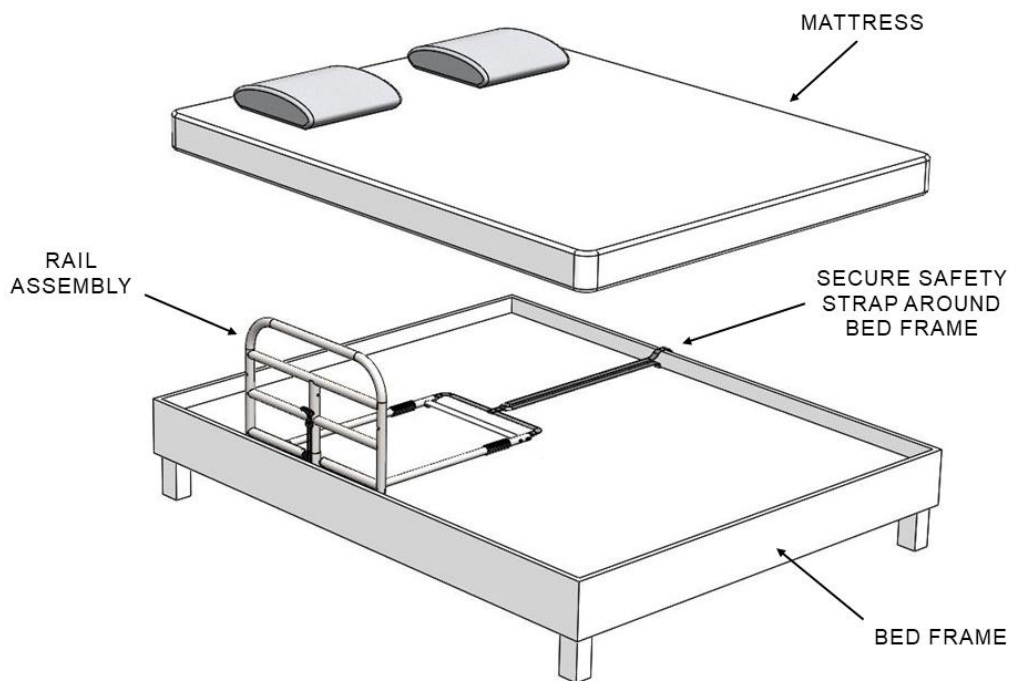
**FIGURE 2**

3. Insert RAIL ASSEMBLY into BASE ASSEMBLY. Secure with SECUREMENT STRAP as shown in Figure 3.



**FIGURE 3**

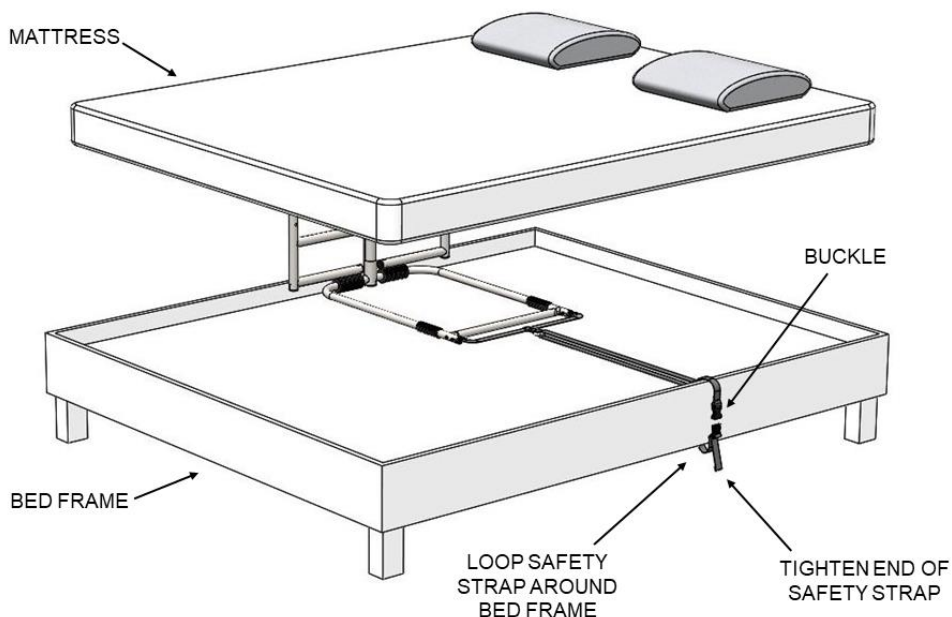
4. Place BED RAIL PRODUCT between the MATTRESS and the BED FRAME as shown in Figure 4.



**FIGURE 4**

5. **IMPORTANT!!!** Secure the SAFETY STRAP to the bed frame, as shown in Figure 5. Unbuckle strap and loop strap around bed frame and re-buckle. Tighten strap to secure Handle Assembly against the side of the mattress as shown in Figures 5 and 6.

DO NOT INSTALL PRODUCT WITHOUT SECURING THE SAFETY STRAP TO THE BED FRAME AS SHOWN IN FIGURES 5 and 6. IF YOU HAVE ANY QUESTIONS CALL STANDER AT (800) 506-9901 or (435) 755-0453. Do not install product unless there is a bed frame to secure the Safety strap to as shown in Figure 5.



**FIGURE 5**

7. **WARNING:** For safety purposes, it is important that ALL conditions shown below are followed. The bottom horizontal bar on the bed rail must be at least 2 inches below the top surface of the mattress. No space should exist between bed rail and side of mattress. Safety strap should be securely buckled around bed frame. Tighten strap to secure BED RAIL ASSEMBLY against the side of the mattress as seen in Figure 6.

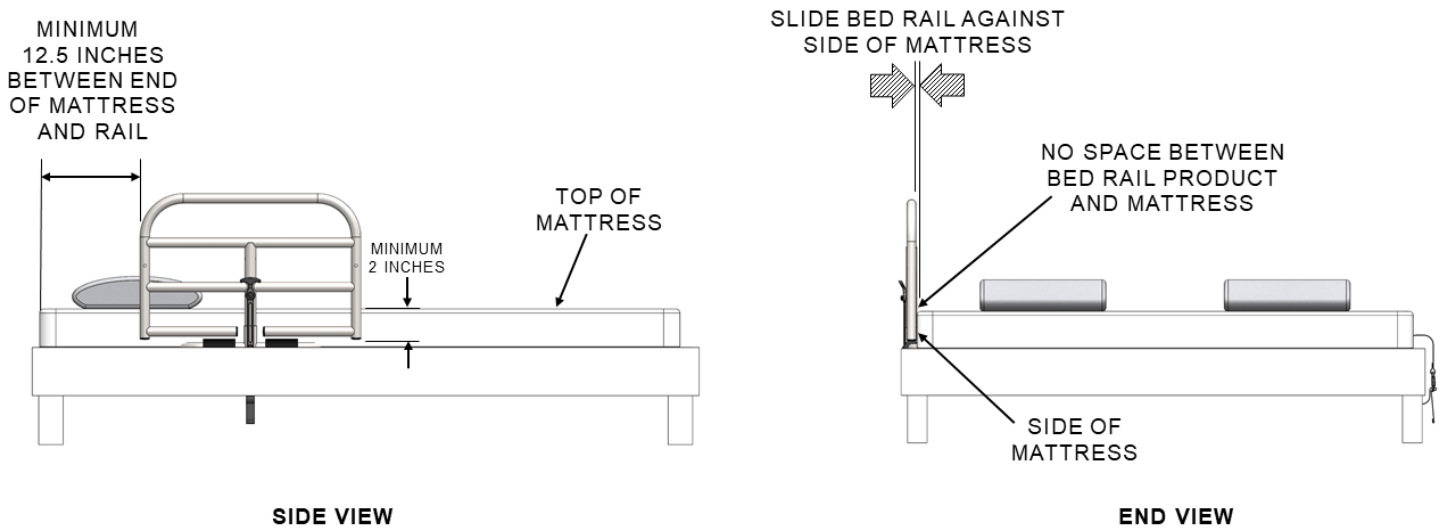


FIGURE 6

8. For storage of RAIL ASSEMBLY, unlatch SECUREMENT STRAP, and remove RAIL ASSEMBLY from BASE ASSEMBLY. USE HOOKS to hang the RAIL ASSEMBLY on the BED FRAME as shown in Figure 7. **DO NOT USE RAIL ASSEMBLY WHEN IN STORAGE POSITION.**

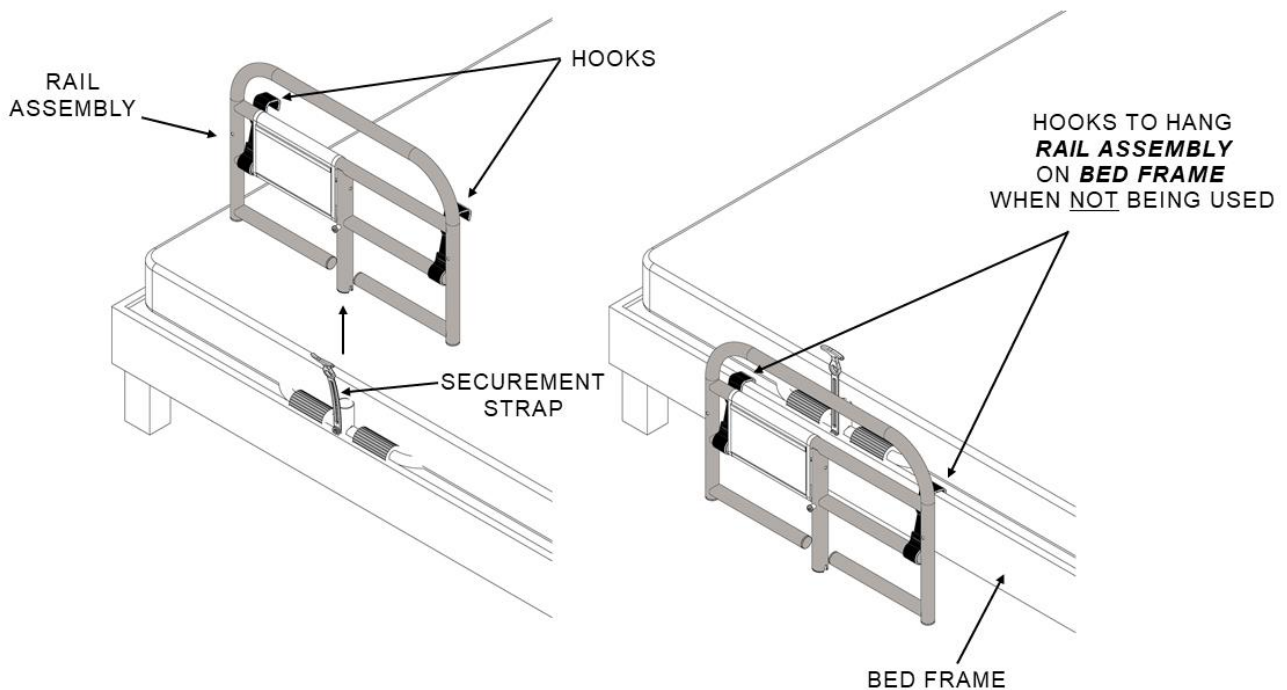
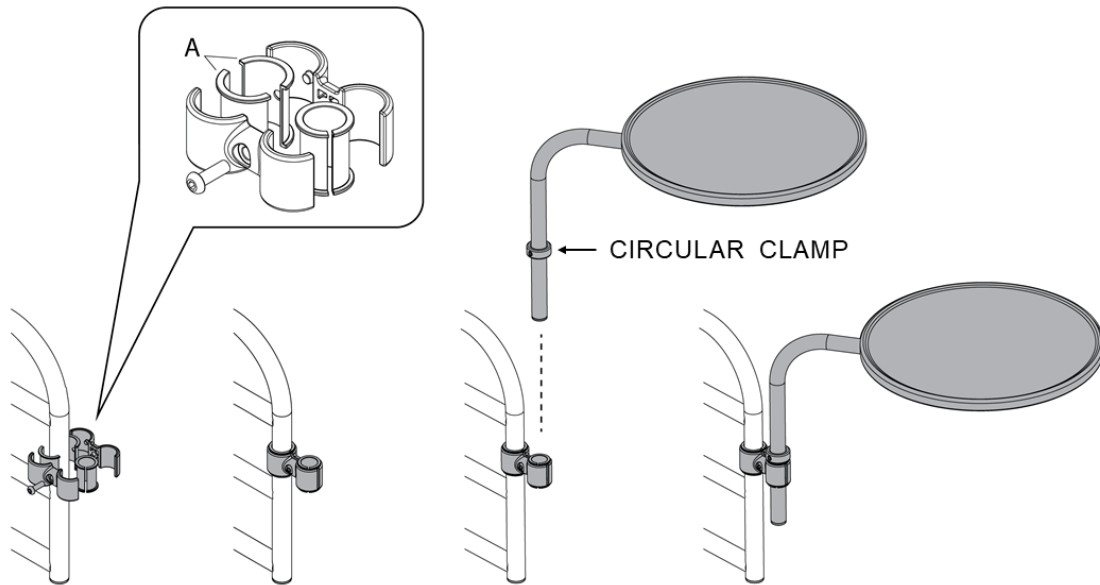


FIGURE 7

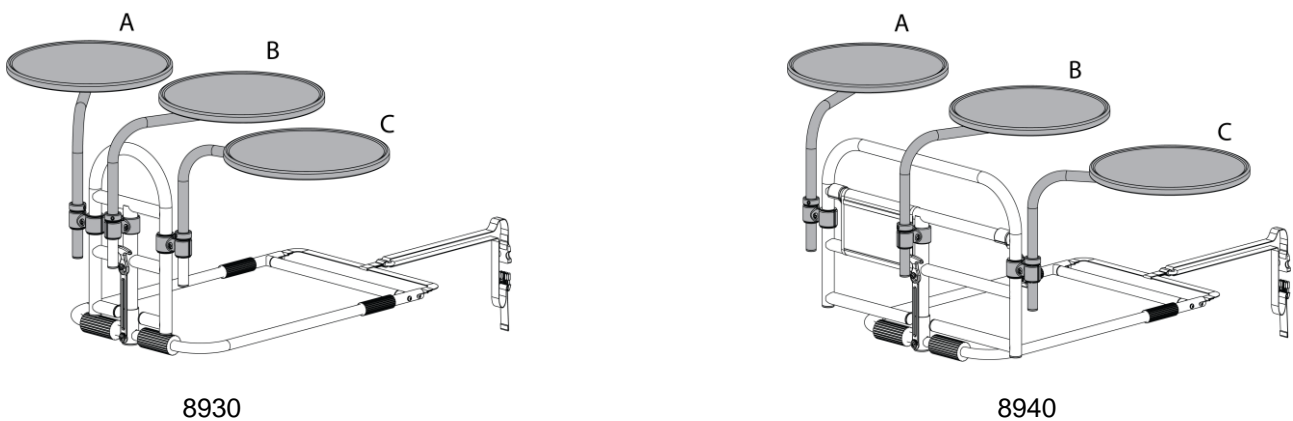
## Optional Accessories and Parts

9. The 8900 Series bed rail accepts a TRAY TABLE accessory. Mount the TRAY TABLE as shown in Figure 8. Position the clamp so the protrusions align with the holes in the RAIL ASSEMBLY. Loosely attach the clamp on the RAIL ASSEMBLY before inserting the TRAY TABLE. Place CIRCULAR CLAMP on the table support tube at the desired height and tighten. Insert the TRAY TABLE into the clamp and finish tightening the clamp. Note that item A in Figure 8 is not needed when mounting the TRAY TABLE to the center post (position B, Figure 9).



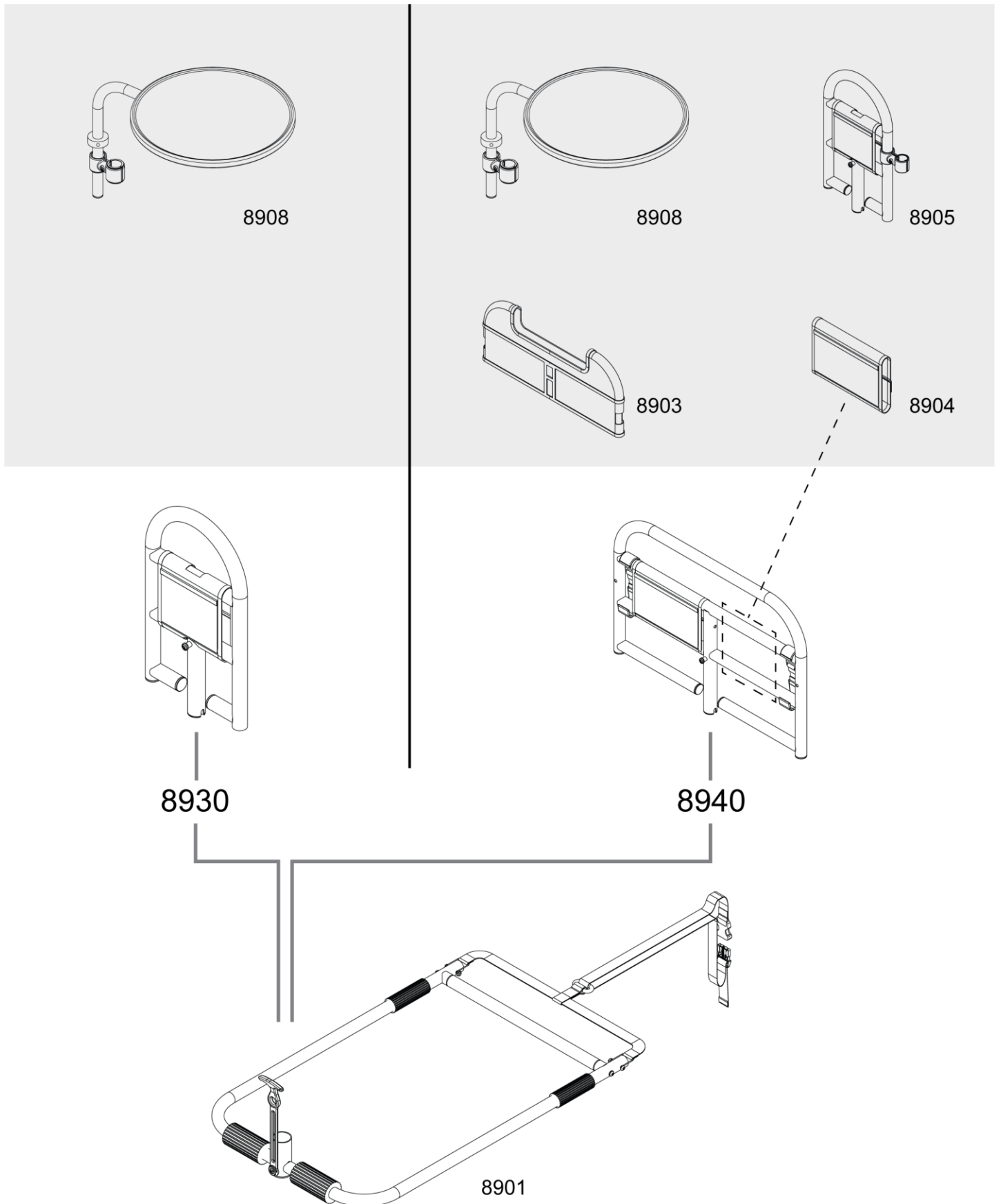
**FIGURE 8**

10. The TRAY TABLE can be mounted to the BED RAIL in the positions shown in Figure 9. Note that the TWO-PIECE SLEEVE (Figure 8, Item A) is not needed in position B.



**FIGURE 9**

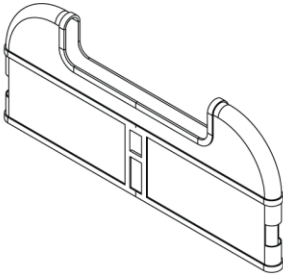
# 8900 Series Overview



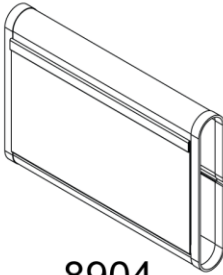


# 8900 Series Bed Rail Parts and Accessories

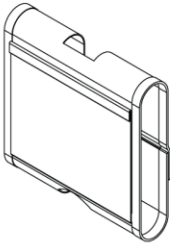
Accessories and parts available for purchase for the 8900 Series.



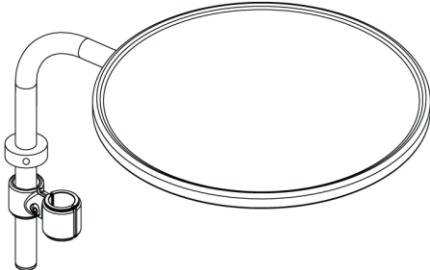
8903



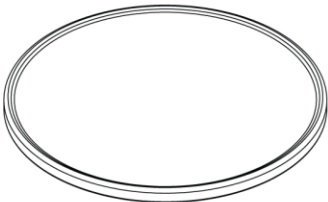
8904



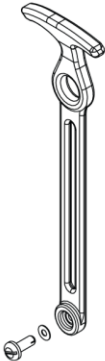
8906



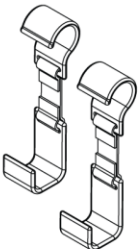
8908



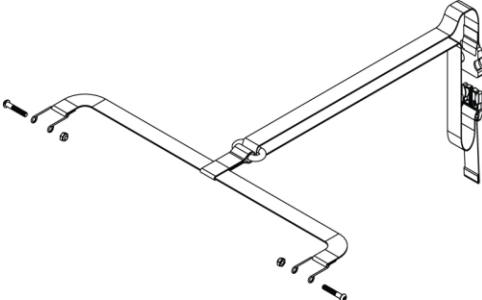
8909



8910



8912



8913